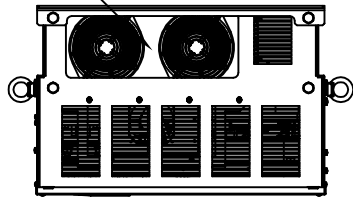
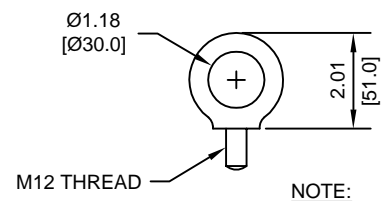


(2) EXTERNAL COOLING FANS

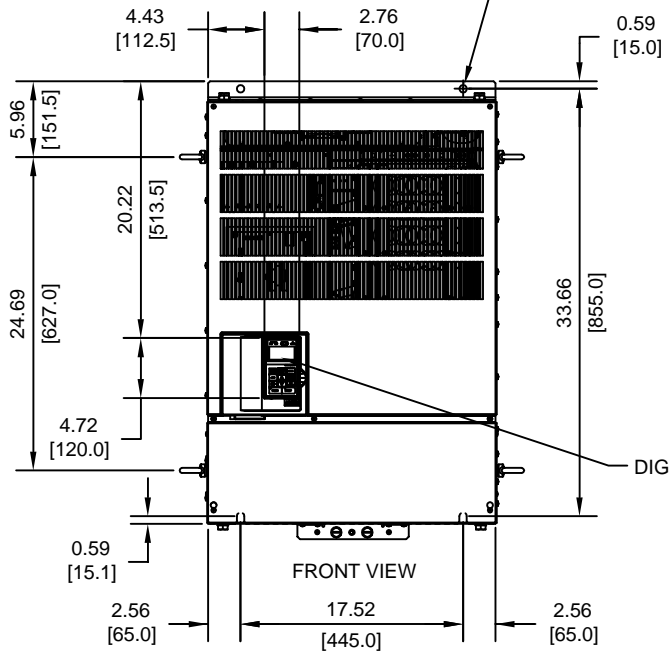


LIFTING AND EYEBOLT DETAILS

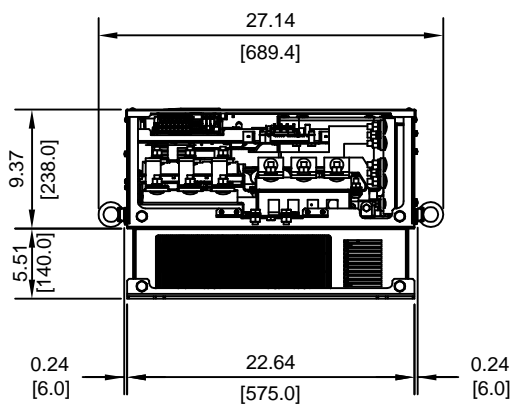
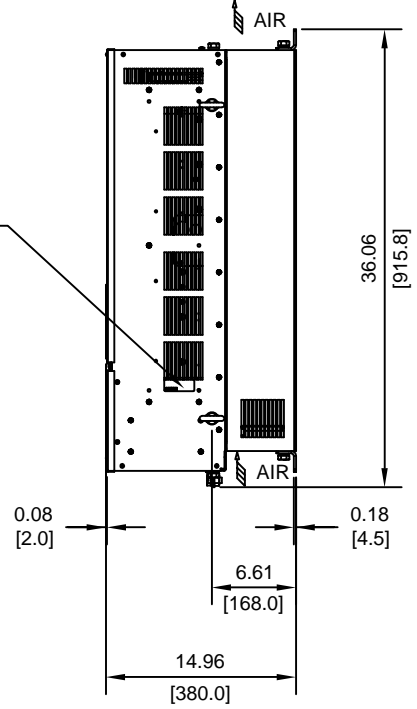


NOTE:
SPREADER BAR REQUIRED TO AVOID DAMAGE DURING LIFTING

(4)-MOUNTING HOLES FOR 1/2" [M12] SCREWS



NAMEPLATE



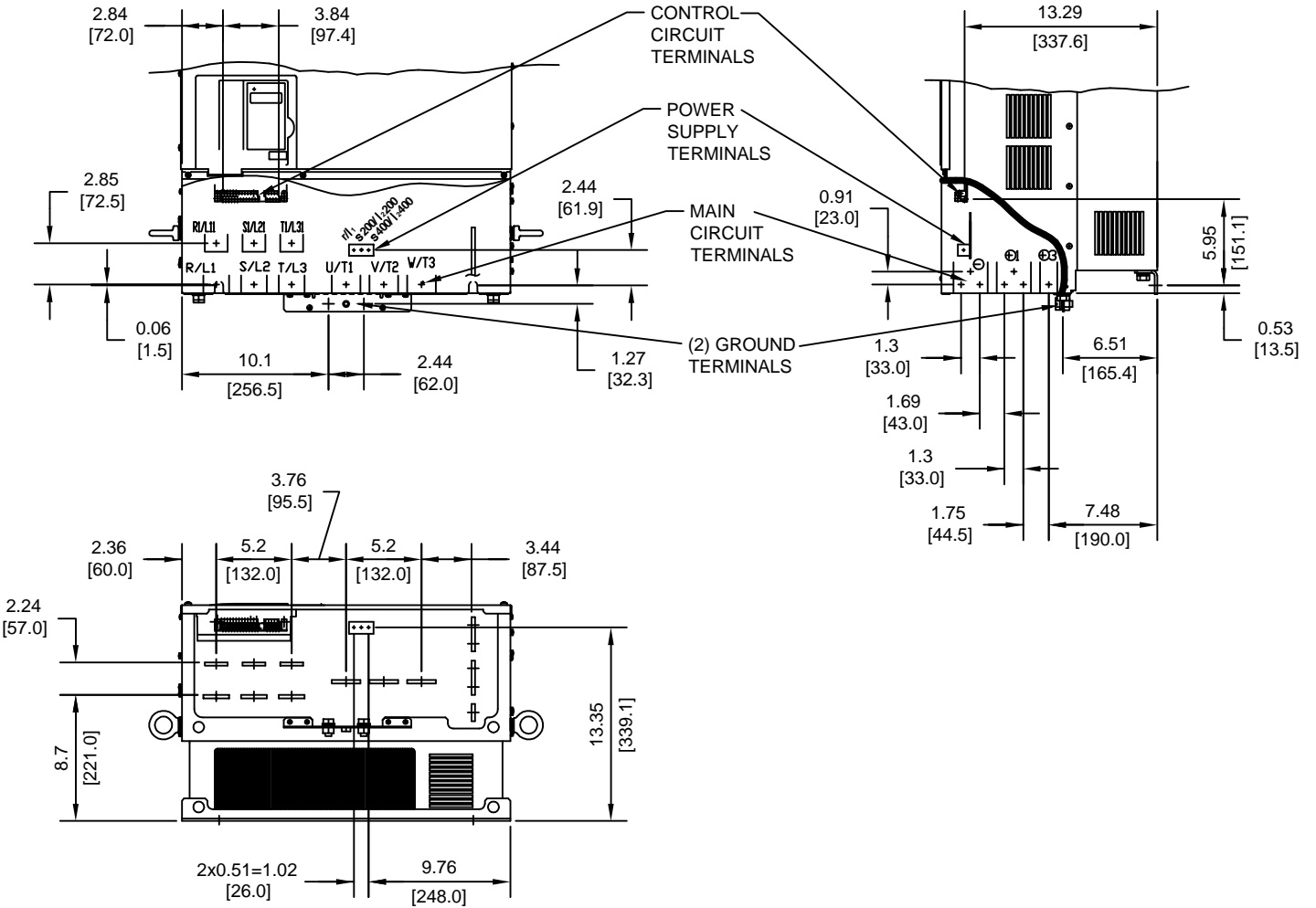
MODEL #	VOLTAGE (VAC)	OUTPUT CURRENT (A)		WEIGHT LBS (Kg)	HEAT LOSS (W)		
		ND2	HD		INT	EXT	TOTAL
CIMR-F7U 4160	480	304	304	352 (160)	1144	2791	3935

ND2=NORMAL DUTY 2 INT=INTERNAL COMPONENTS
HD=HEAVY DUTY EXT=EXTERNAL HEATSINK

FOR ADDITIONAL DETAILS AND SPECIFICATIONS, CONSULT MANUAL

TOLERANCES/REFERENCES: -	<p>YASKAWA A World of Automation Solutions™</p> <p>YASKAWA ELECTRIC AMERICA, INC. Corporate Headquarters 2121 Norman Drive South Waukegan, IL 60085 1-800-YASKAWA http://www.yaskawa.com</p>	DRAWN: J. MATTAS	DATE: 6-24-03	TITLE: F7 DIMENSION DRAWING		
		CHECKED: M. RUCINSKI	DATE: 7-2-03	FRAME SIZE 13		
UNITS: IN[mm]	SCALE: 1:15	TECH: J. CAIRO	DATE: 6-30-03	SIZE: A	REVISION: R01	PAGE: 1 of 3
		APPROVED: T. SASADA	DATE: 7-7-03	DRAWING #: DD.F7.FR13.IP00.01		
		ORIGINAL DESIGN: -	DATE: -			

TERMINAL AND WIRING DETAILS (SCALE 1:12)




TERMINAL SPECIFICATIONS FOR
MAIN CIRCUIT AND GROUND

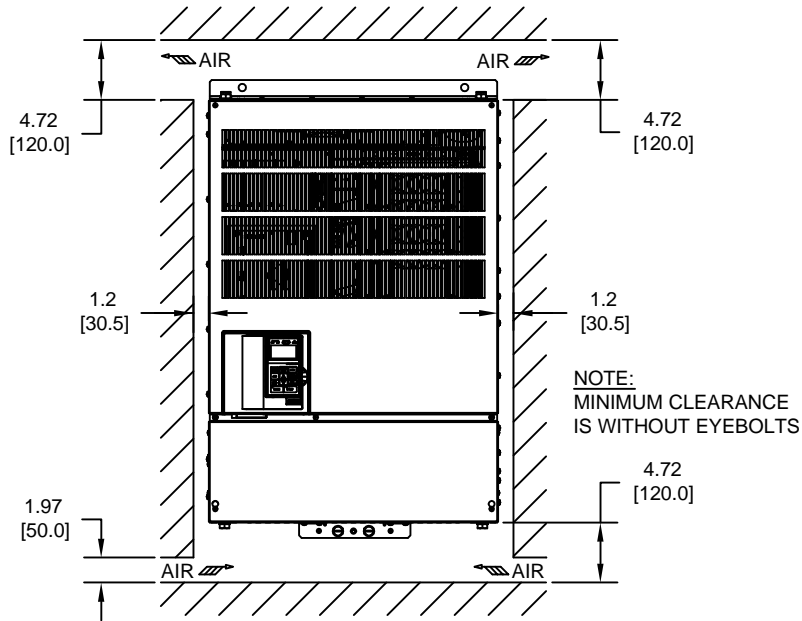
MODEL #	TERMINAL SYMBOL	TERMINAL SCREW	CLAMPING TORQUE lb.in.(N.m.)
4160	R/L1, S/L2, T/L3, ⊕, ⊕ ₁ , ⊕ ₂ U/T1, V/T2, W/T3, R1/L11, S1/L21, T1/L31	M12	276 TO 345 (31.4 TO 39.2)
	⊕3	M8	78.0 TO 95.0 (8.8 TO 10.8)
	r1, s200/220, s400/400	M4	11.4 TO 12.3 (1.3 TO 1.4)

NOTE: REFER TO APPLICABLE CODES FOR PROPER WIRE TYPE AND SIZE

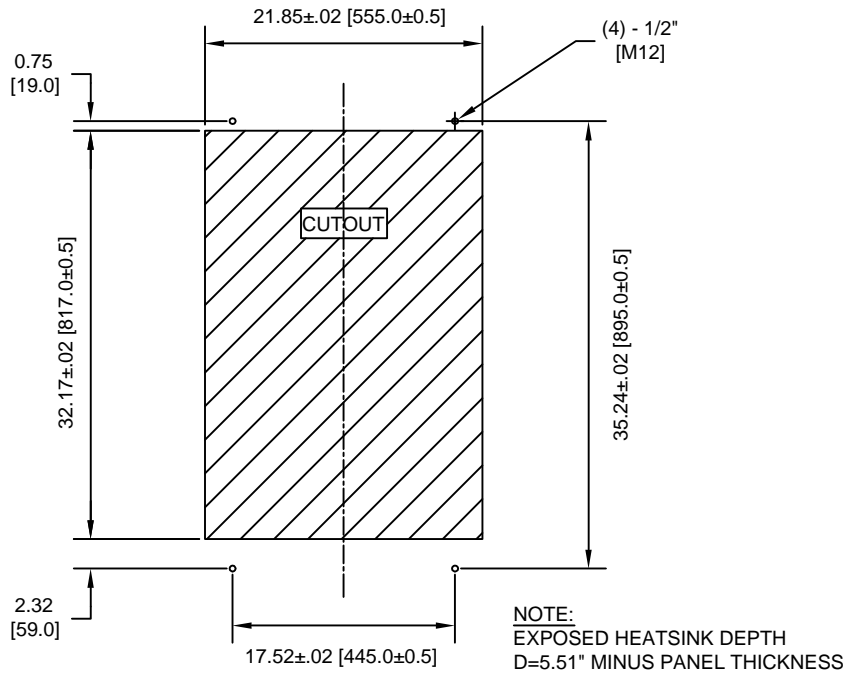
FOR ADDITIONAL DETAILS AND SPECIFICATIONS, CONSULT MANUAL

TOLERANCES/REFERENCES: - - - -	 YASKAWA <i>A World of Automation Solutions™</i> YASKAWA ELECTRIC AMERICA, INC. Corporate Headquarters 2121 Norman Drive South Waukegan, IL 60085 1-800-YASKAWA http://www.yaskawa.com	DRAWN: J. MATTAS	DATE 6-24-03	TITLE: F7 DIMENSION DRAWING
		CHECKED: M. RUCINSKI	DATE 7-2-03	FRAME SIZE 13
UNITS: IN[mm]	SCALE: BY VIEW	TECH: J. CAIRO	DATE 6-30-03	IP00 ENCLOSURE
		APPROVED: T. SASADA	DATE 7-7-03	F7U4160
		ORIGINAL DESIGN: -	DATE -	SIZE A
				REVISION R01
				PAGE 2 of 3
				DRAWING #: DD.F7.FR13.IP00.01


MINIMUM INSTALLATION CLEARANCES (SCALE 1:15)



PANEL CUTOUT FOR EXTERNAL HEATSINK MOUNTING CONFIGURATION (SCALE 1:15)



FOR ADDITIONAL DETAILS AND SPECIFICATIONS, CONSULT MANUAL

TOLERANCES/REFERENCES: - - - - - - - - - -		 YASKAWA <i>A World of Automation Solutions™</i> YASKAWA ELECTRIC AMERICA, INC. Corporate Headquarters 2121 Norman Drive South Waukegan, IL 60085 1-800-YASKAWA http://www.yaskawa.com	DRAWN: J. MATTAS	DATE 6-24-03	TITLE: F7 DIMENSION DRAWING		
UNITS: IN[mm]	SCALE: BY VIEW		CHECKED: M. RUCINSKI	DATE 7-2-03	FRAME SIZE 13		
		TECH: J. CAIRO	DATE 6-30-03	IP00 ENCLOSURE			
		APPROVED: T. SASADA	DATE 7-7-03	SIZE A	REVISION R01	PAGE 3 of 3	
		ORIGINAL DESIGN: -	DATE -	DRAWING #: DD.F7.FR13.IP00.01			